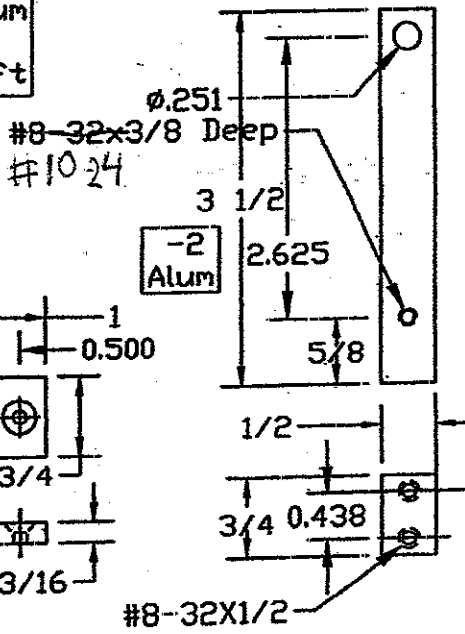
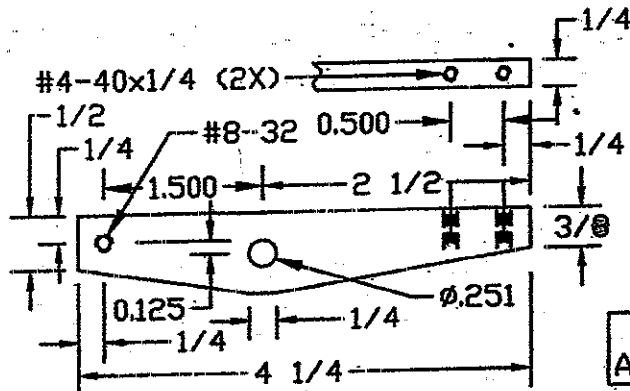


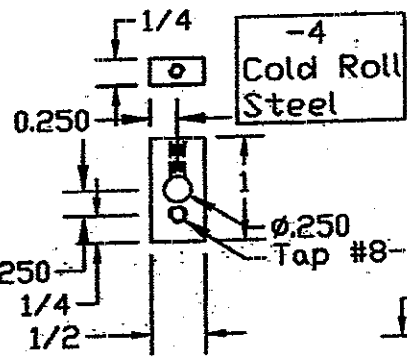
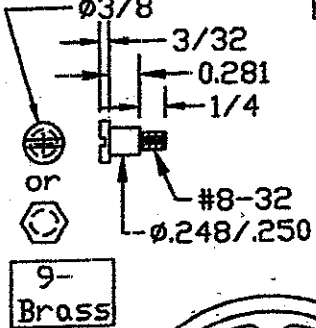
-3, -5
 Bronze or Alum
 Casting
 Cold Roll Shaft



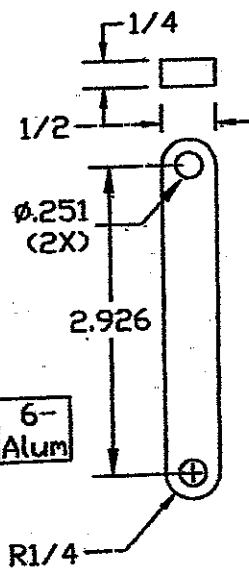
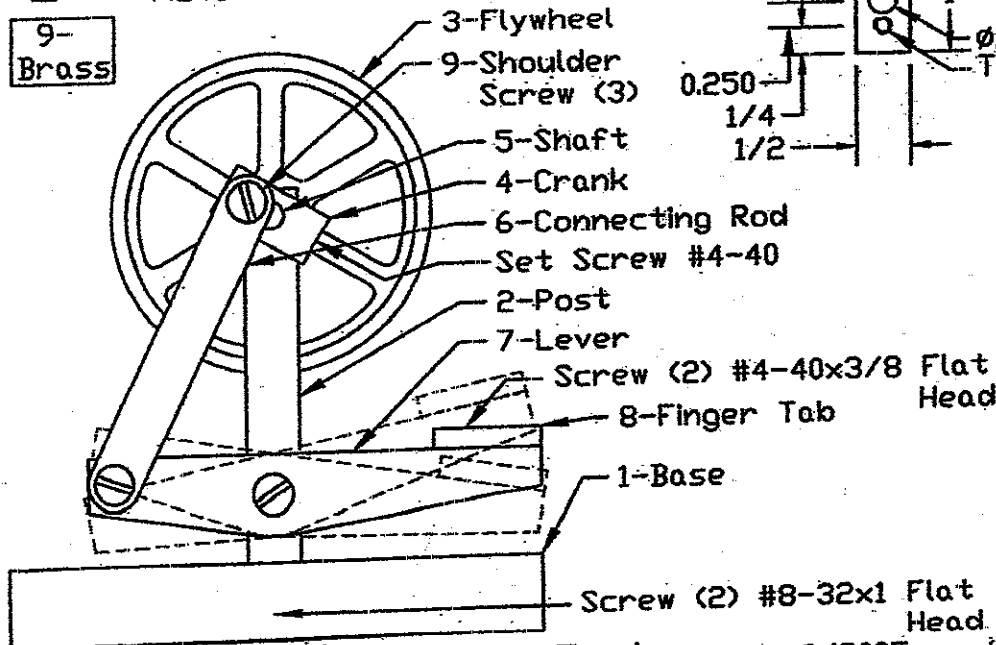
-7 Alum

Drill & C'snk for #4 Fl Hd

Use #8 Brass
 Washer Under Each
 Shoulder Screw, 2
 #14 Brass Washers
 on Shaft



1 in
3/4 in



NAMES Vertical Finger Engine TDP 2/2005